



10/100Base DIP Transformer

Part Number: D20601 G

Page:1/2

- Compliant with IEEE 802.3 standard, Including 350 uH OCL with 8 mA bias.
- RoHS compliant.
- Operating temperature range : 0°C to +70°C.
- Storage temperature range: 0 °C to +85°C

Electrical Specifications @ 25°C

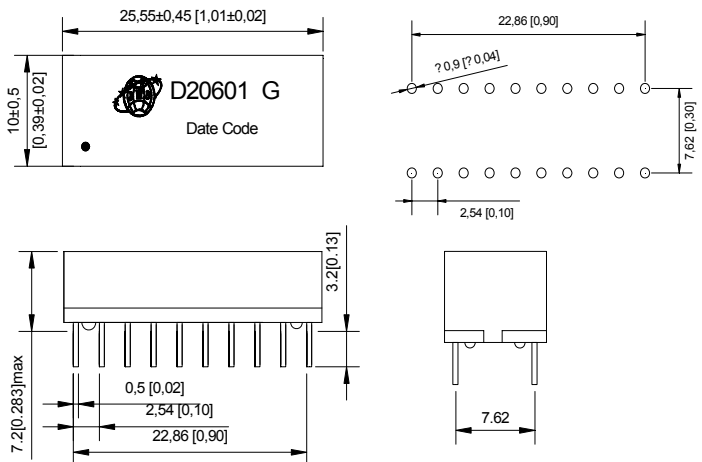
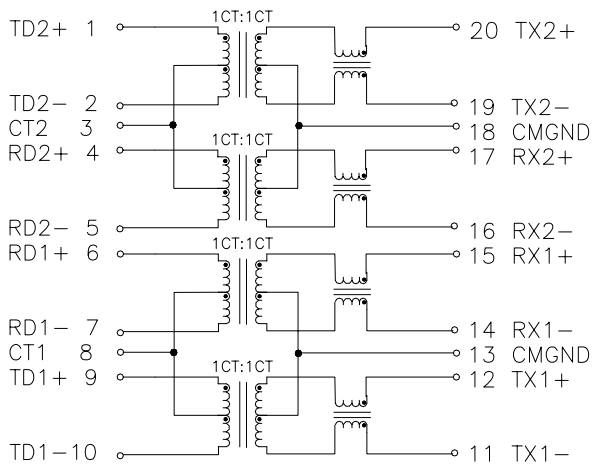
Part Number	Turns Ratio (±5%)		OCL(uH Min) @100KHz/0.2V with 8.0mA DC	Insertion Loss (dB Max) 0.3-100MHz	C w/w (pF Max) @100KHz/0.2V	HI-POT (Vrms)
	TX	RX				
D20601 G	1CT:1CT	1CT:1CT	350	-1.10	50	1500

Continue

Part Number	Return Loss (dB Min)			Cross Talk (dB Min) 0.3-100 MHz	DCMR (dB Min) 0.3-100 MHz
	0.3-30MHz	30-60MHz	60-80MHz		
D20601 G	-18	-14	-12	-35	-30

Schematics:

Mechanicals:



Unless otherwise specified, tolerances:
 xx.x0+/-0.25mm 0.xx+/-0.05mm

R0(04/13)

Tel: +86-816-2562292/2561202
 E-mail: myjwd@myjwd.com

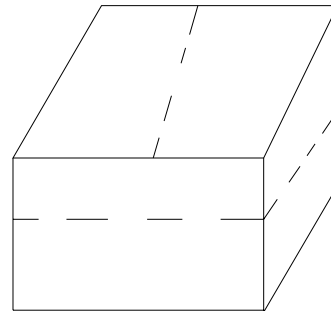
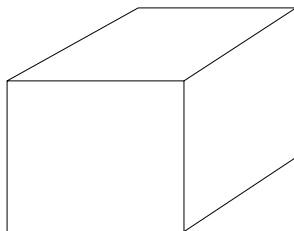
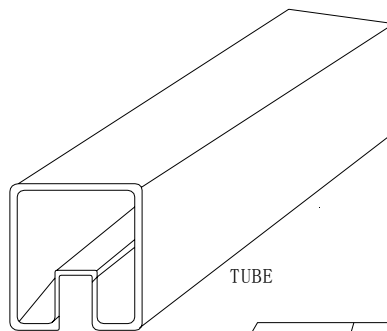
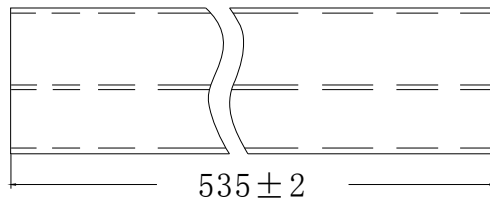
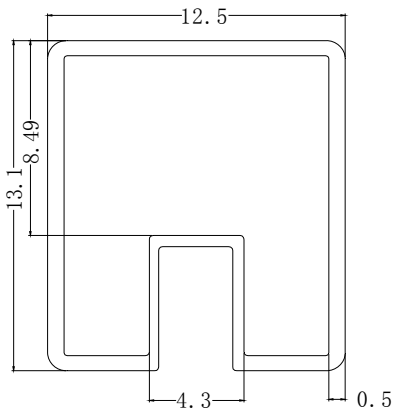
Fax: +86-816-2562916
 Website: www.myjwd.com



10/100Base DIP Transformer

Part Number: D20601 G

Page:2/2



INNER CARTON: 570 (L) X 180 (W) X 100 (H)

EXPORT CARTON: 580 (L) X 380 (W) X 240 (H)

TUBE: 20PCS

INNER BOX: 70*20=1400PCS

OUTER CARTON: 4*1400=5600PCS

R0(04/13)

Tel: +86-816-2562292/2561202
E-mail: myjwd@myjwd.com

Fax: +86-816-2562916
Website: www.myjwd.com