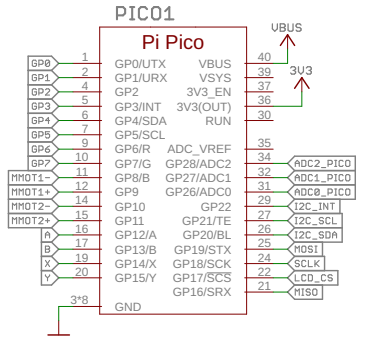
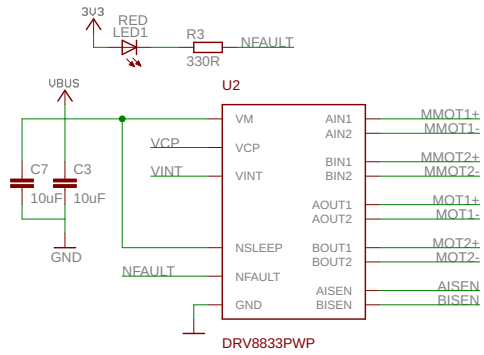


Pico Explorer Base (PIM550)

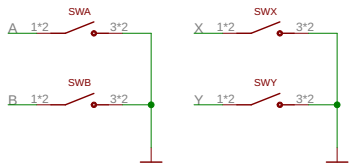
Pico connector



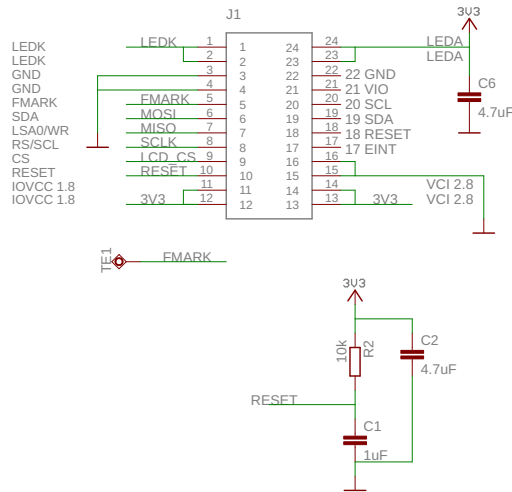
Dual H-Bridge Motor Driver



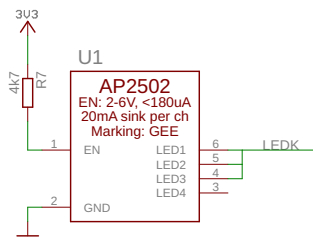
Switches



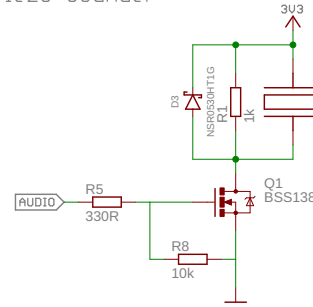
1.54" 240x240 LCD



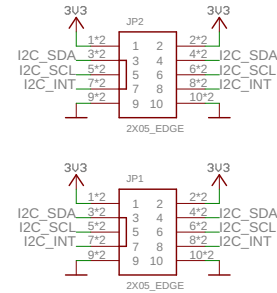
LCD Backlight Driver



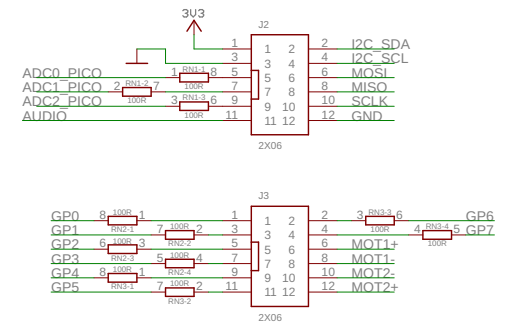
Piezo Sounder



Breakout Garden connectors



Output Headers



Extra resistor

