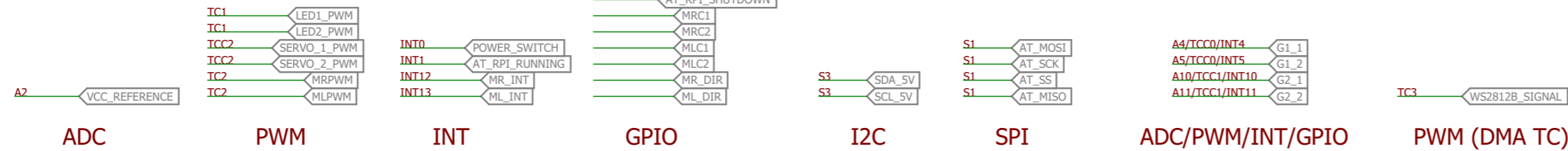


ATSAMC20J Resources

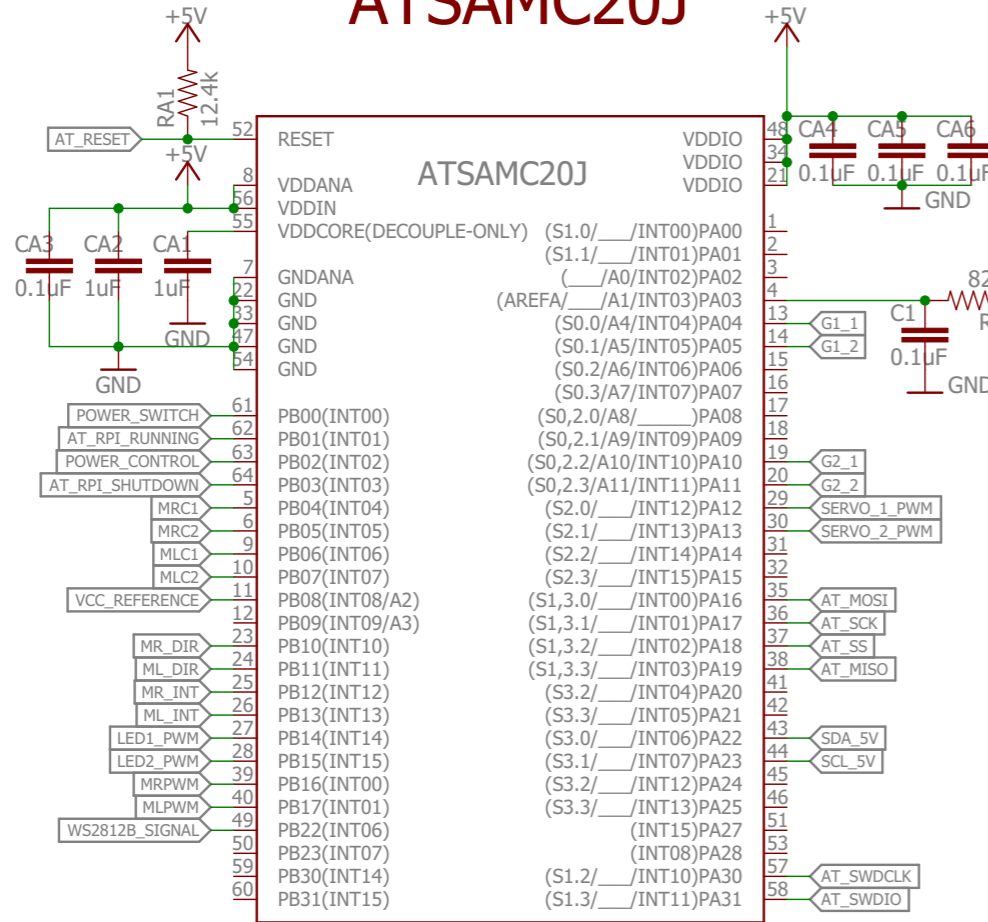
INT 0, 1, 4, 5, 10, 11, 12, 13
A 2, 4, 5, 10, 11
SERCOM 1, 3
TCC 0, 1, 2
TC 1, 2, 3



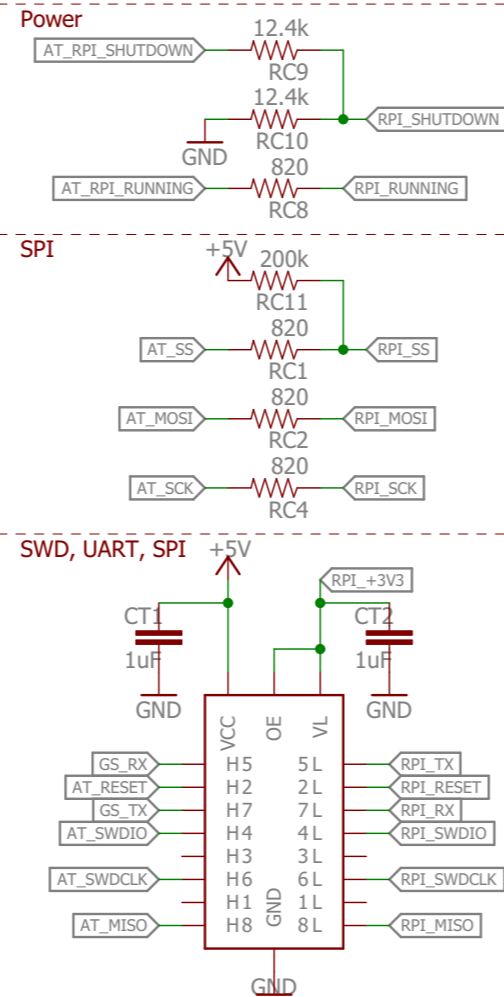
GoPiGo3 v3.2.0
<https://dexterindustries.com/GoPiGo>
<https://github.com/DexterInd/GoPiGo3>

Released under the Creative Commons Attribution NonCommercial ShareAlike 4.0 license
<https://creativecommons.org/licenses/by-nc-sa/4.0/>

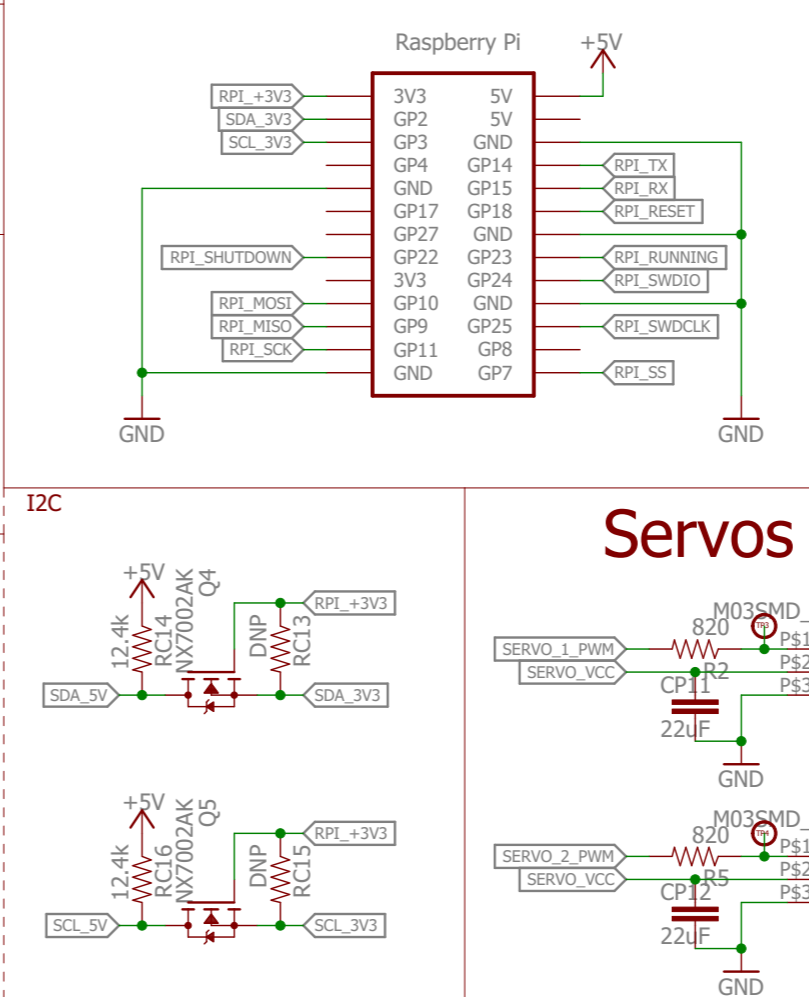
ATSAMC20J



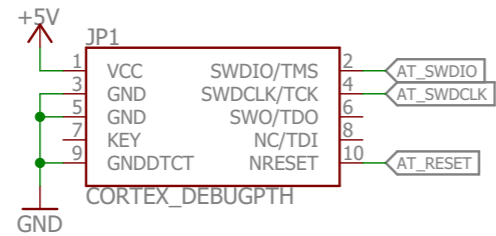
Interface



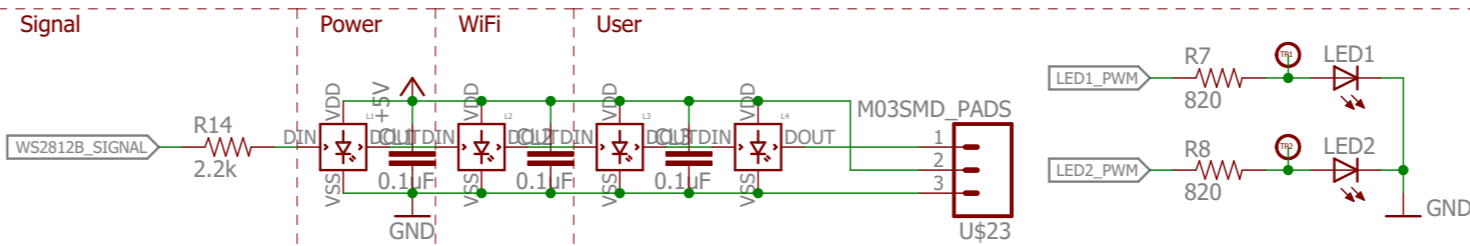
Raspberry Pi interface



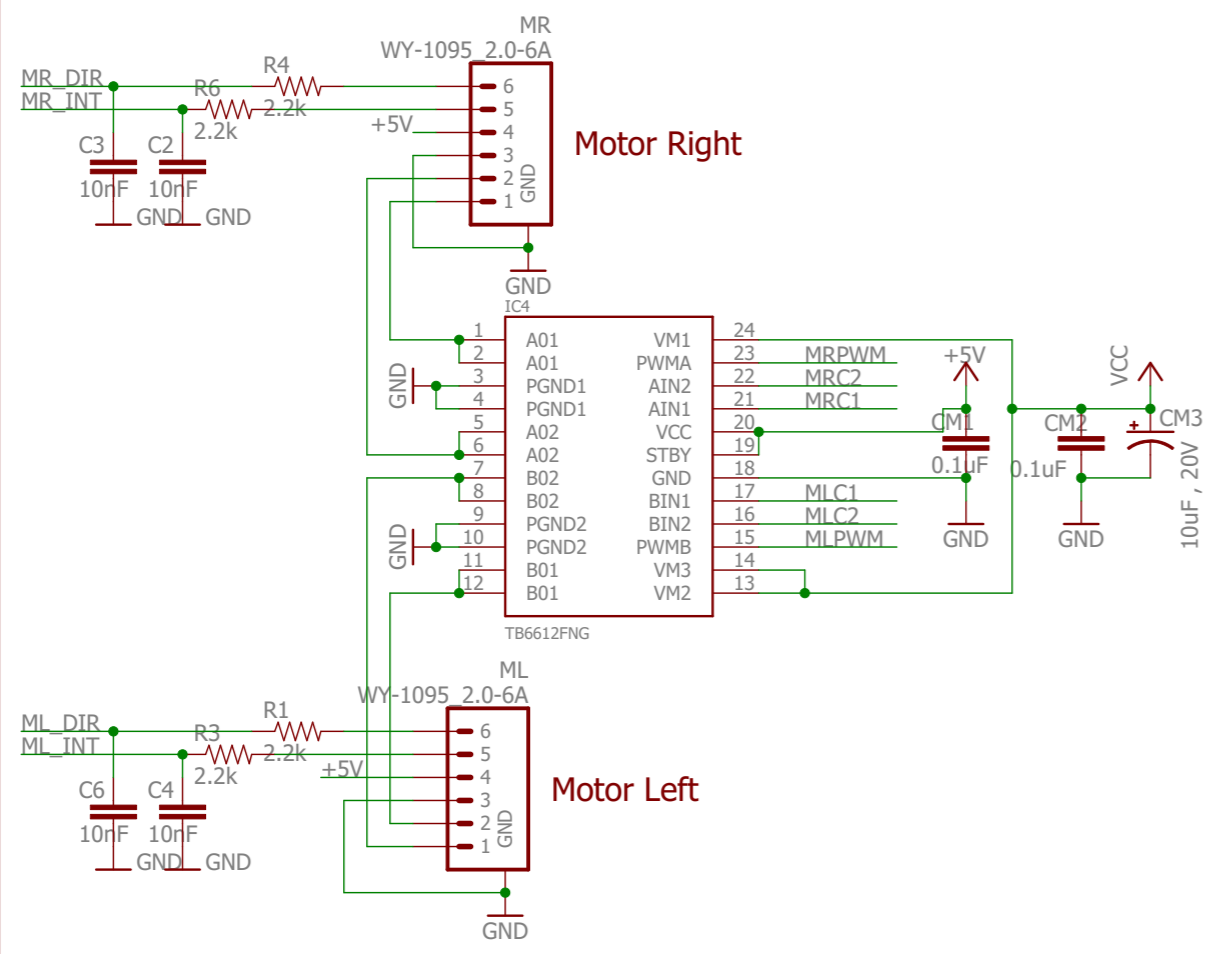
Programming/debugging SWD Header



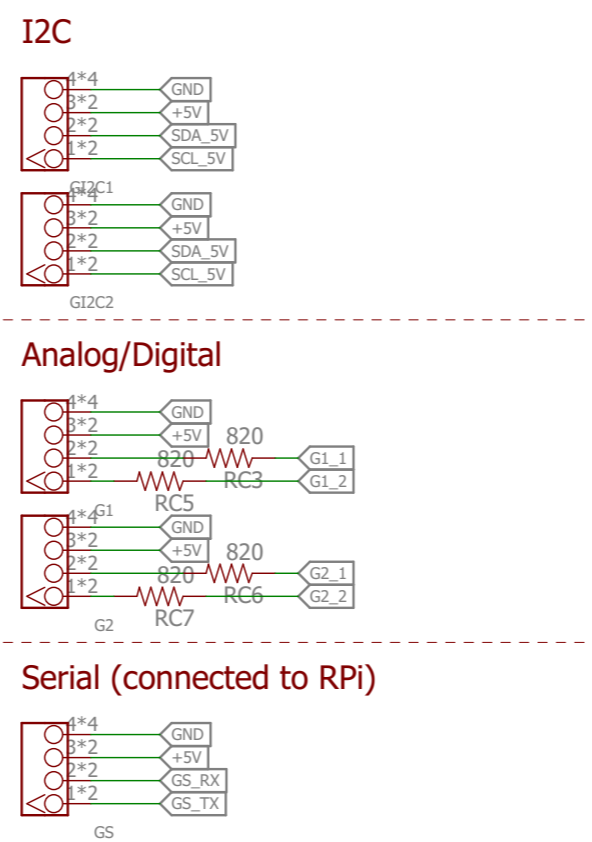
LEDs



Motors



Grove Connectors



Power

